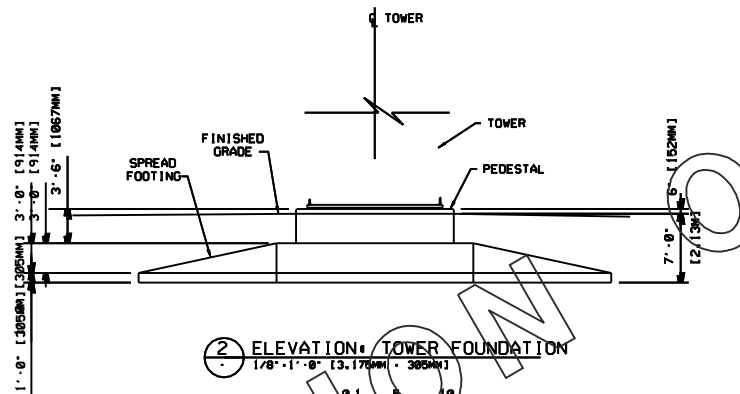


1 PLAN: TOWER FOUNDATION
1/8" = 1'-0" 0 1 5 10
SCALE IN FEET



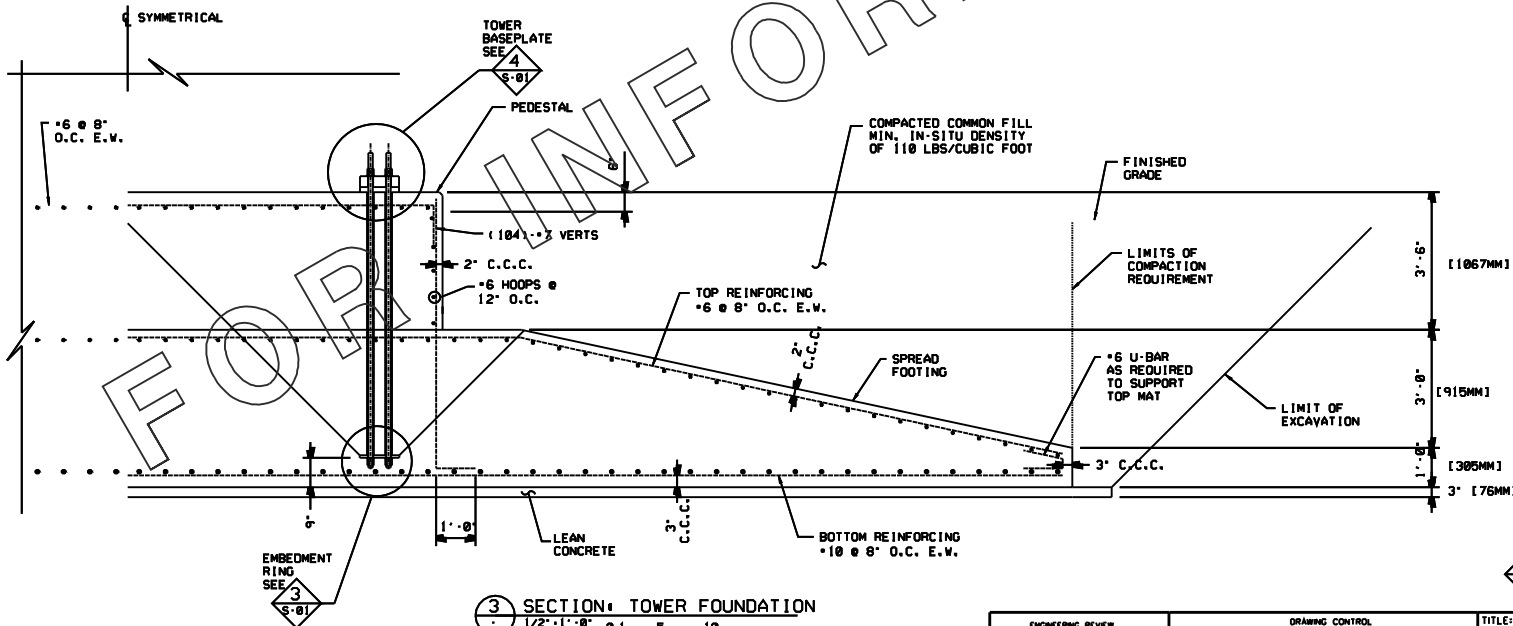
2 ELEVATION: TOWER FOUNDATION
1/8" = 1'-0" [3.175MM = 305MM]
SCALE IN FEET

SEQUENCE OF WORK:

1. EXCAVATE
2. PLACE MUD MAT
3. INSTALL BOTTOM REINFORCING MAT.
4. INSTALL ANCHOR BOLT CAGE.
5. INSTALL TOP MAT OF REINFORCING.
6. PLACE BASEMAT CONCRETE
7. FORM PEDESTAL
8. INSTALL CONDUIT
9. TIE PEDESTAL REBAR.
10. PLACE PEDESTAL CONCRETE.
11. INSTALL GROUND GRID.
12. BACKFILL.

ABBREVIATIONS:

- B.O. BOTTOM OF
- C.C.C. CLEAR CONCRETE COVER
- CL. CENTER LINE
- EL. ELEVATION
- E.W. EACH WAY
- EX. EXISTING
- I.D. INSIDE DIAMETER
- MIN. MINIMUM
- O.C. ON CENTER
- O.D. OUTSIDE DIAMETER
- R. RADIUS
- T&B TOP AND BOTTOM
- T.O.C. TOP OF CONCRETE
- TYP. TYPICAL
- W/ WITH
- Ø DIAMETER



3 SECTION: TOWER FOUNDATION
1/2" = 1'-0" 0 1 5 10
SCALE IN FEET

4 DETAIL: FOUNDATION LOCATIONS
N.T.S.

ENGINEERING REVIEW			DRAWING CONTROL			TITLE:	
DISC:	ENGR:	DATE:	PURPOSE:	APPROVED:	DATE:	RELEASED:	DATE:
			FOR INFORMATION				
			FOR COMMENT				
			FOR BID				
			FOR FABRICATION				
			FOR CONSTRUCTION				

TYP. FOUNDATION DETAIL

PROJECT:		DRAWING NO:		PROJECT NO:	
SCALE:	NTS	DRAWN:	CHECKED:	SHEET: 1 OF 1	REV:

REV NO	REVISION	DATE	CHECKED	APPROVED	REV NO	REVISION	DATE	CHECKED	APPROVED

MORTENSON®